

Fixed Coaxial Attenuators

Model 275 Medium Power, SMK Connectors Conduction Cooled, Bi-directional Design

dc to 40.0 GHz
 5 Watts



Features

- /// Compact Construction - Lowest size/power ratio.
- /// Precision injection molded connectors.
- /// Designed to meet environmental requirements of MIL-DTL-3933.
- /// Flat Response & Low SWR.

Specifications

NOMINAL IMPEDANCE: 50 Ω
FREQUENCY RANGE: dc to 40.0 GHz

MAXIMUM DEVIATION OVER FREQUENCY:

Nominal ATTN (dB)	Deviation (dB)	
	dc-26.5 GHz	26.5-40 GHz
3	± 0.50	± 1.00
6, 10, 20, 30	± 0.80	± 1.50

MAXIMUM SWR:

Frequency (GHz)	SWR
dc - 26.5	1.25
26.5 - 40	1.45

POWER RATING: 5 watts **average (bi-directional)** with case temperature limited to 100 °C with appropriate conductive heat sink. 200 watts **peak** (5 μsec pulse width; 1.25% duty cycle).

POWER COEFFICIENT: <0.002 dB/dB/watt
TEMPERATURE COEFFICIENT: <0.0004 dB/dB/°C
TEMPERATURE RANGE: -55 °C to 100 °C (case)

TEST DATA: Swept data plots of attenuation and SWR from 50 MHz to 40 GHz.

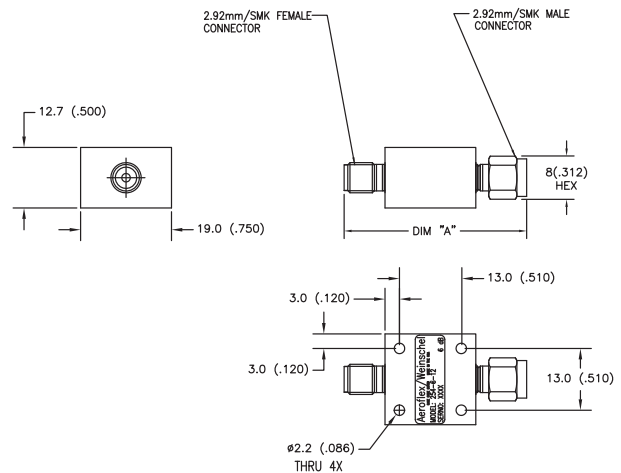
CONNECTORS: SMK (2.92mm) Male/Female connectors - mate nondestructively with SMA per MIL-C-39012, 3.5mm and other 2.92mm connectors.

Connector Options	Type/Description
1	SMK, Female
2	SMK, Male

CONSTRUCTION: Aluminum body, gold plated beryllium copper contacts.

WEIGHT: 17 g (0.6 oz.) maximum

PHYSICAL DIMENSIONS:

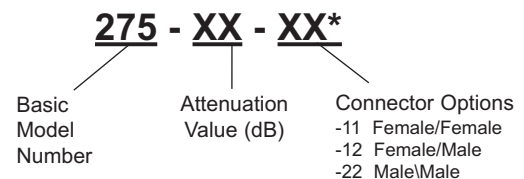


Dash No.	Connector Type	DIM A
11	2.92mm Female/Female	39.6 (1.56)
12	2.92mm Male/Female	44.2 (1.74)
22	2.92mm Male/Male	48.8 (1.92)

NOTE: All dimensions are given in mm (inches) and are nominal, unless otherwise specified.

MODEL NUMBER DESCRIPTION:

Example:



*Unit is bi-directional and full power may be applied to either connector.