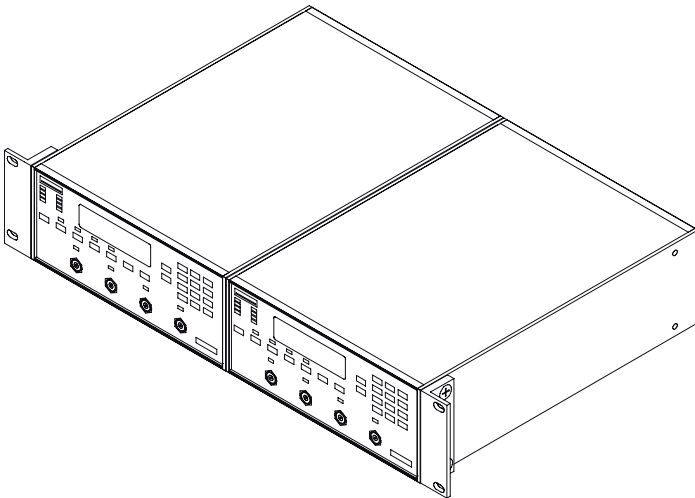

INSTALLATION INSTRUCTIONS

8310 Rack Mounting Kits (P/Ns 193-8033-1 & 193-8033-2)



This documentation may not be reproduced in any form, for any purpose unless authorized in writing by API / Weinschel, Inc.

api 
technologies corp.
> WEINSCHEL

© **API / Weinschel, Inc.**
Frederick, Maryland
1999, 2001, 2004

GENERAL

This manual provide s general installation instructions to rack mount either one or two Model 8310 SmatStep Attenuator Unit(s) into any cabinet or rack that is designed according to EIA RS-310 or MIL-STD-189.

REPLACEABLE PARTS LIST

Table 1 and 2 lists all the mechanical parts that are supplied with the Rack Mounting Kits (P/Ns 193-8033-1 and 193-8033-2). Inventory all items received with your installation Kit against those parts or components listed in Table 1 for Kit 193-8033-1 and 2 for kit 193-8033-2 before assembly.

Table 1. RPL for Installation Kit (P/N 193-8033-1)

Fig 1 Find No.	Description	Part No. (QTY)
1	Rack Adapters	074-912 (2)
2	Panel Rack Adapter, 1/2 to Full	074-917 (1)
3	Screw, Coupling	074-920 (2)
4	Screw, Flat HD 10-32 X 5/16 LG	MS24699-C269 (4)
5	Washer, Lock #10	MS35338-138 (2)

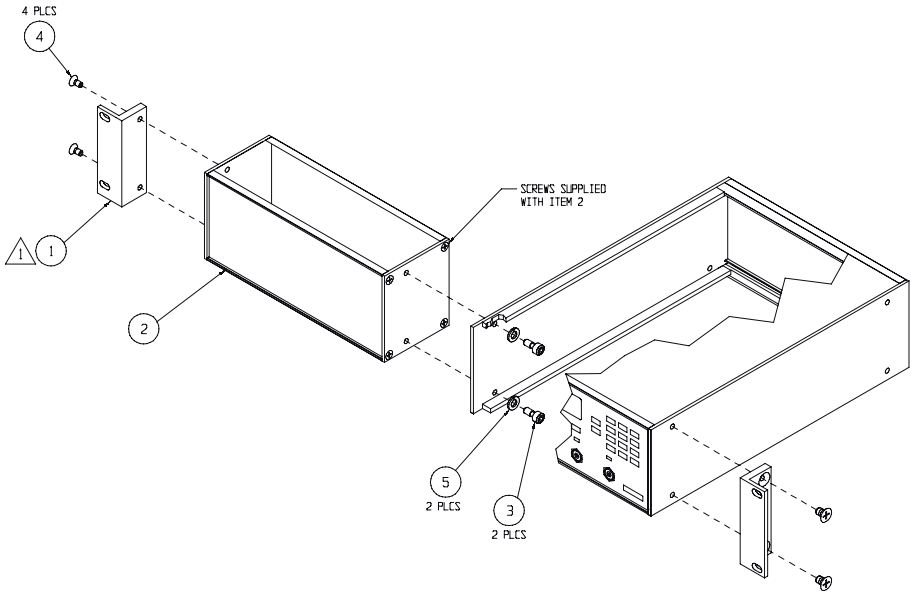


Figure 1. Rack Mounting Kit (P/N 193-8033-1)

Table 2. RPL for Installation Kit (P/N 193-8033-2)

Fig 2 Find No.	Description	Part No. (QTY)
1	Rack Adapters	074-912 (2)
2	Screw, Coupling	074-920 (4)
3	Screw, Flat HD 10-32 X 5/16 LG	MS24699-C269 (4)
4	Washer, Lock #10	MS35338-138 (4)

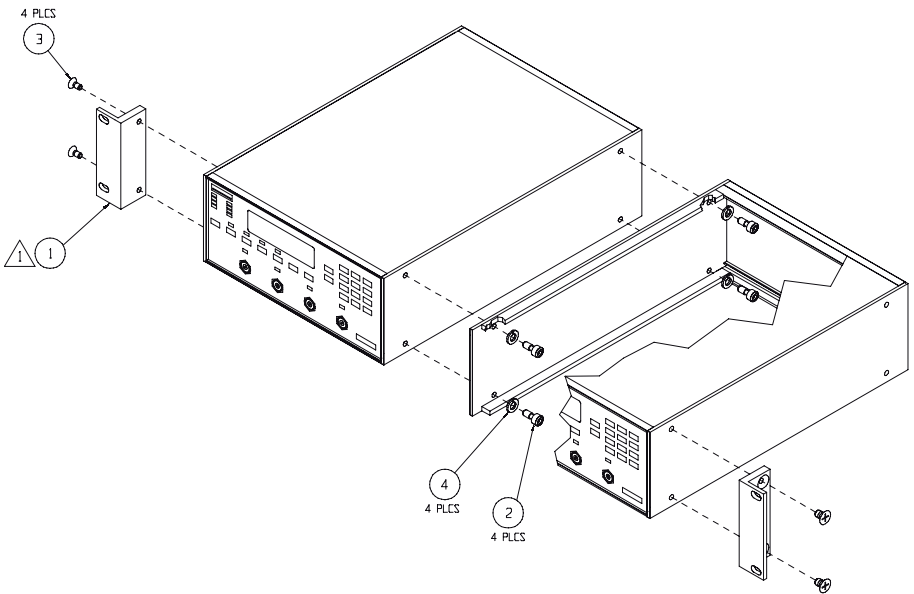


Figure 2. Rack Mounting Kit (P/N 193-8033-2)

KIT INSTALLATION (P/N 193-8033-1)

The following procedure and Figure 1 provides general installation instructions to be used as an aid in installing Rack Mounting Kit (P/N 193-8033-1). These procedures will convert one bench mounted Model 8310 to an assembly that can be installed easily in any cabinet or rack that is designed according to EIA RS-310 or MIL-STD-189.

- a. Carefully position the attenuator unit with the top facing up and then remove the two screws attaching the top cover to the chassis and remove. Turn over and repeat for step to remove bottom cover.
- b. If desired, remove the four plastic feet from bottom cover and discard.

NOTE

Panel Rack Adapter (2) can be installed on either right or left side of instrument.

- c. Align holes in Panel Rack Adapter (2) with holes in the desired side of the Model 8310 and secure with two flat head screws (3) and washers (5) as shown in Figure 1.
- d. Align the instrument right adapter ear (1) with Panel Rack Adapter (2) as shown in Figure 1. Secure the Panel Rack Adapter (2) to the adapter ear (1) using two flat head screws (4). Repeat step for left side.
- e. Re-install top and bottom covers and secure with previously removed hardware.
- f. Install the into cabinet or rack.

KIT INSTALLATION (P/N 193-8033-2)

The following procedure and Figure 2 provides general installation instructions to be used as an aid in installing Rack Mounting Kit (P/N 193-8033-2). These procedures will convert two bench mounted Model 8310s to an assembly that can be installed easily in any cabinet or rack that is designed according to EIA RS-310 or MIL-STD-189.

- a. Select one of the Model 8310 to be rack mounted and remove screws attaching bottom cover to the Model 8310 chassis and remove. Repeat step for top cover.
- b. If desired, remove the four plastic feet from bottom cover and discard. Repeat for other Model 8310.
- c. Align side mounting holes of the two Model 8310s and secure with four flat head screws (2) and washers (4) as shown in Figure 2.
- d. Carefully position the Rack Adapter Ear (as shown in Figure 2, item 1) and secure using the four screws (3). Repeat step for other side.
- e. Replace top and bottom cover and secure using previously removed hardware.
- g. Install the Dual Model 8310s into cabinet or rack.

CONTACTING API / Weinschel

In the event you're having difficulty or believe that the components are defective, please contact API / Weinschel immediately. An apparent malfunction may be corrected over the phone by contacting the Customer Service Department at API / Weinschel. **DO NOT** send the product back to the factory without prior authorization (RMA number). When it is necessary to return an item, state the symptoms or problems, catalog and type number of the attenuator, and date of original purchase. Also write the company name, your name, and phone number on an index card. Then attach the card to the attenuator to be returned.

API / Weinschel Warranty

PRODUCTS: API / Weinschel warrants each product it manufactures to be free from defects in material and workmanship under normal use and service anywhere in the world. API / Weinschel's only obligation under this Warranty is to repair or replace, at its plant, any product or part thereof that is returned with transportation charges prepaid to API / Weinschel by the original purchaser within ONE YEAR from the date of shipment.

The foregoing Warranty does not apply to, and in API / Weinschel's sole opinion, products that have been subject to improper or inadequate maintenance, unauthorized modifications, misuse, or operation outside the environmental specifications for the product.

SOFTWARE PRODUCTS: API / Weinschel software products are supplied without representation or Warranty of any kind. API / Weinschel, therefore, assumes no responsibility and will not accept liability (consequential or otherwise) arising from the use of program materials, disk, or tape.

The Warranty period is controlled by the Warranty document furnished with each product and begins on the date of shipment. All Warranty returns must be authorized by API / Weinschel prior to their return.

API / Weinschel's Quality System Certified to:



Notes:



5305 Spectrum Drive, Frederick, Maryland 21703-7362
TEL: (301) 846-9222, 800-638-2048, FAX: (301) 846-9116
Web: www.weinschel.apitech.com, e-mail: weinschel-sales@apitech.com